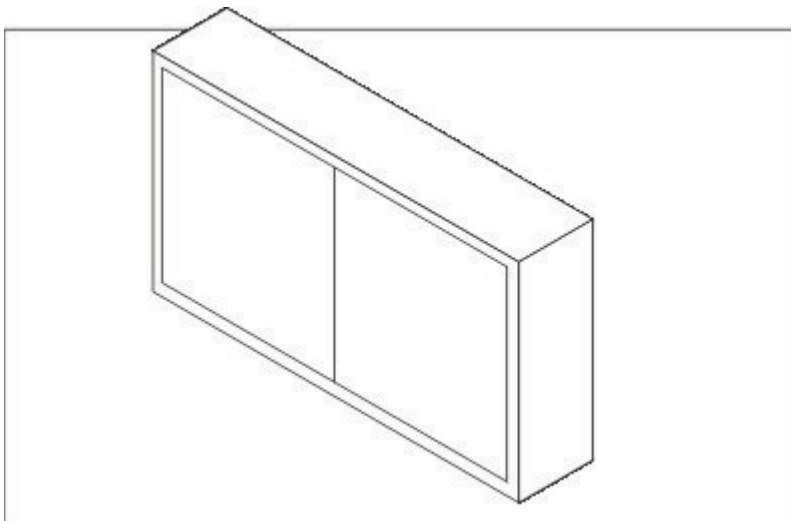
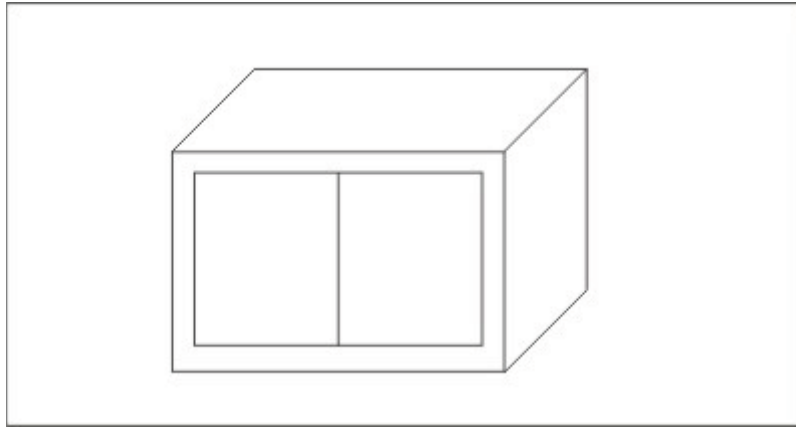
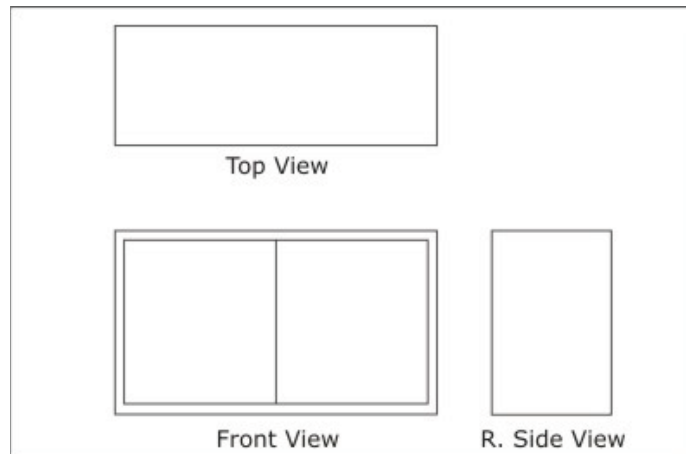


Class work:

USING A PENCIL, Sketch each of the following drawings on the graph paper provided **AND** sketch the orthographic projection for each isometric drawing.



The below example is an orthographic projection:



For a Challenge:

Sketch a 3D drawing of the objects below **AND** create an orthographic projection for each object as well (include the TOP, FRONT and SIDE for each object). **DON'T FORGET THE HIDDEN LINES!**

