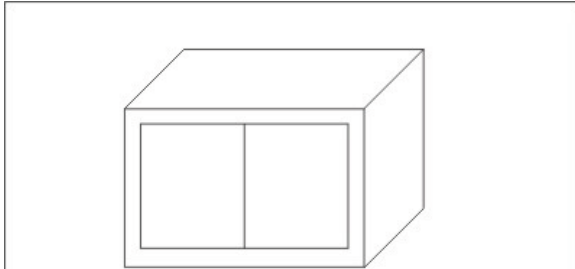
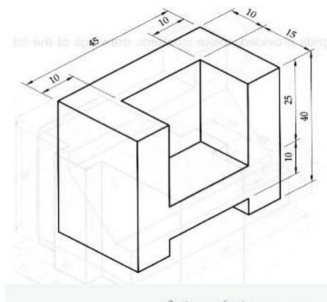


USING A PENCIL, Sketch each of the following drawings on the graph paper provided **AND** sketch the orthographic projection for each isometric drawing. Make sure the orthographic projection matches the isometric drawing on the graph paper.

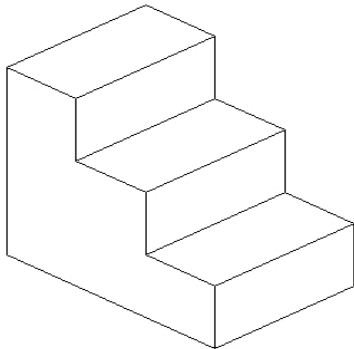
1.



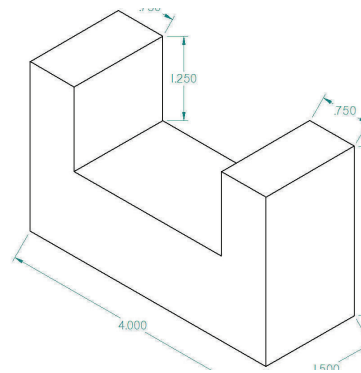
4.



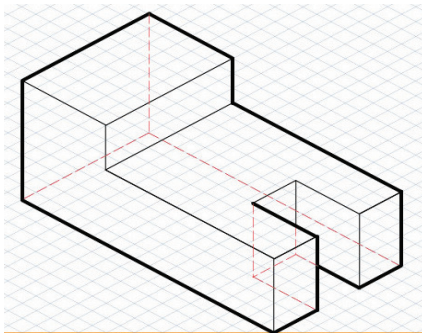
2.



5.



3.



6.

